

EZSync010

EZSync FTDI Chip USB to RS485 Serial Converter Cable with TX/RX LEDs



Features

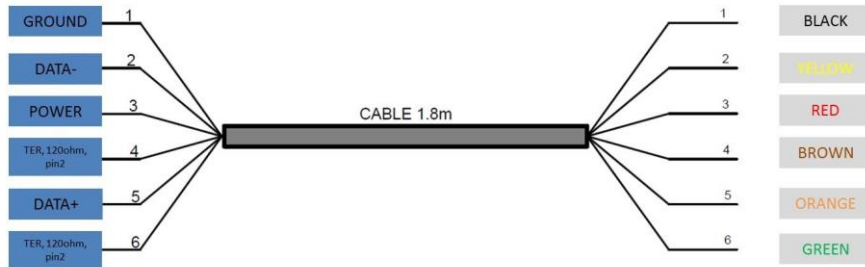
- Entire USB to RS485 translation protocol is handled by the electronics over-molded in the cable
- Extended temperature range of -40C to 85C which allows operation in automotive and industry applications
- ESD Protection for RS-485 I/O's $\pm 15\text{kV}$ Human Body Model (HBM) $\pm 15\text{kV}$ EN61000-4-2 Air Gap Discharge $\pm 8\text{kV}$ EN61000-4-2 Contact Discharge
- Visual indication of Tx/Rx traffic and Power On via LEDs in the transparent USB connector
- Cable length is 1.80m (6 feet). Stripped wire end for RS485 interface

Every EZSync cable is built to last for years with high quality industrial grade materials. The EZSync010 cable works with all Windows and Mac OS versions including the latest Windows 10 and Mac OS X 10.11(EI Capitan) and 10.12(Sierra). The USB-RS485 cable is a USB to RS485 levels serial UART converter cable incorporating FTDI's FT232RQ USB to serial UART interface IC device which handles all the USB signaling and protocols. The cable provides a fast, simple way to connect devices with a RS485 interface to USB. This cable has 6 outputs: GND(Black), Data-(Yellow), 5vPower(RED), Terminator1(Brown), Data+(Orange), Terminator 2(Green).

Specification

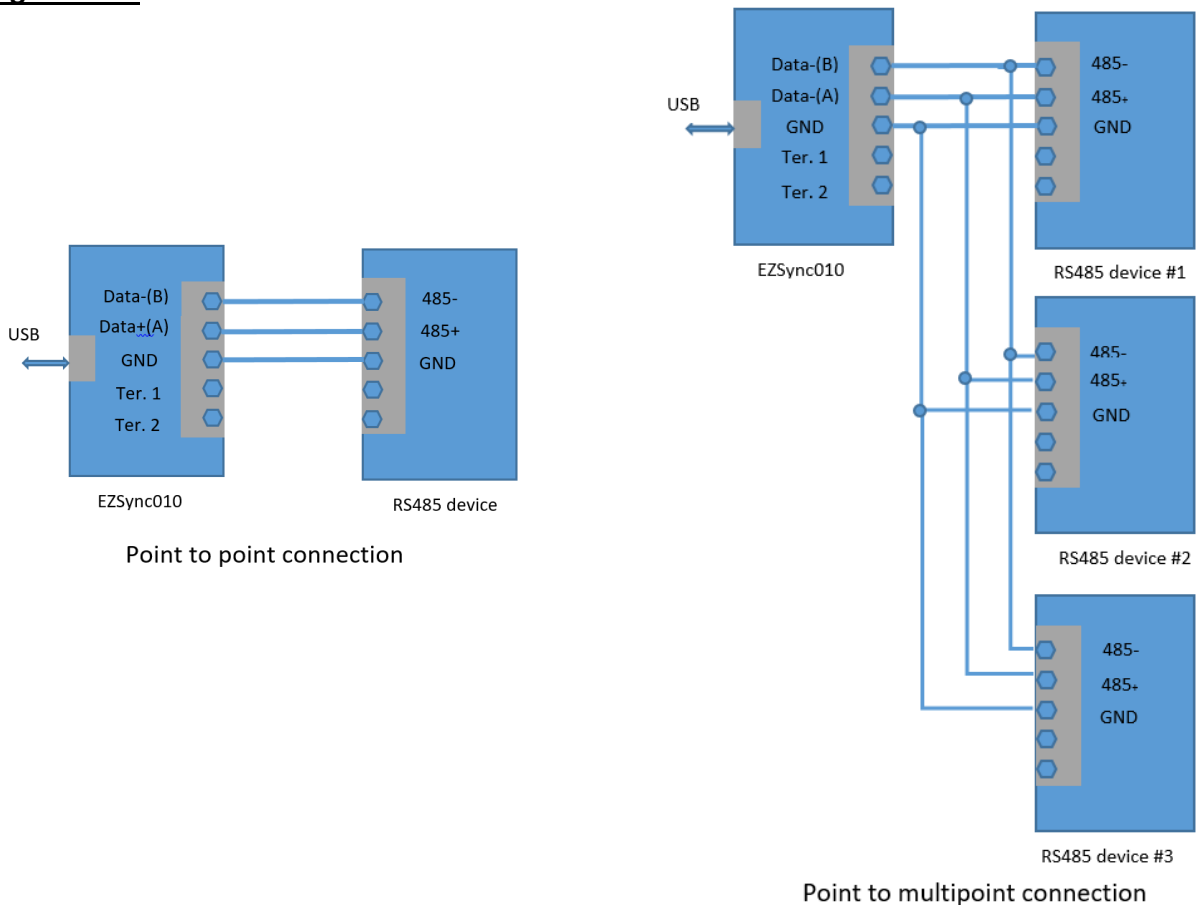
Model Number	EZSync010
Product Name	EZSync FTDI Chip USB to RS485 Serial Converter Cable with TX/RX LED
Cable Length	1.5meter, ~5 feet
Interface A	USB, Male type A
Interface B	RS485, Wire end stripped
Baud Rate	300bps to 3Mbps, auto detection
Chipset	FT232RL
RS485 Signals	GND(Black), Data-(Yellow), 5vPower(RED), Terminator1(Brown), Data+(Orange), Terminator 2(Green)
Flow control	X-On / X-Off software handshaking
Driver Support	All windows and Mac OS versions including the latest Windows10 and Mac OS X 10.12(Sierra)
Operating temperature	-40°C to +85°C
Current Draw	<30mA
Vcc output	5V, 250mA max

Cable signals



Color	Name	Type	Description
Black	GND	GND	Device ground
Yellow	DATA-(B)	Bidirectional	DATA-(B) signal
Red	Power	Output	+5V output
Brown	Terminator1	Input	Clear to send
Orange	DATA+(A)	Bidirection	DATA+(A) Signal
Green	Terminator2	Input	Request to send

Wiring Method





Models comparison table

EZSync serial data cable models comparison table

Model number	Description	End connector	Output signals	Chipset
EZSync006	USB to UART (3.3V TTL)	Wire ended(no connector)	GND(Black), CTS#(Brown), VCC(5V, RED), TXD(Orange),RXD(Yellow), RTS#(Green)	FTDI
EZSync007	USB to UART (3.3V TTL)	6 pin SIL, 0.1" pitch	GND(Black), CTS#(Brown), VCC(5V, RED), TXD(Orange),RXD(Yellow), RTS#(Green)	FTDI
EZSync008	USB to UART (5V TTL)	6 pin SIL, 0.1" pitch	GND(Black), CTS#(Brown), VCC(5V, RED), TXD(Orange),RXD(Yellow), RTS#(Green)	FTDI
EZSync009	USB to UART (5V TTL)	Wire ended (no connector)	GND(Black), CTS#(Brown), VCC(5V, RED), TXD(Orange),RXD(Yellow), RTS#(Green)	FTDI
EZSync010	USB to RS485	Wire ended (no connector)	GND(Black), Data-(Yellow), 5V Power(RED), Term1(Brown), Data+(Orange), Term2(Green)	FTDI
EZSync011	USB to RS232	DB9 Male	TXD, RXD, RTS, CTS, DSR, DTR, DCD, RI, GND	FTDI
EZSync012	USB to UART (3.3V TTL)	Wire ended (no connector)	GND(Black), TXD(Orange), RXD(Yellow)	FTDI
EZSync013B	USB to UART (5V TTL)	Wire ended (no connector)	GND(Black), CTS#(Brown), VCC(5V, RED), TXD(Orange),RXD(Yellow), RTS#(Green)	FTDI
EZSync013	USB to UART (5V TTL)	Wire ended (no connector)	GND(Black), CTS#(Brown), VCC(5V, RED), TXD(Orange),RXD(Yellow), RTS#(Green)	PL2303
EZSync014	USB to RS232	DB25 Male	TXD(Pin2), RXD(pin3) and GND(pin7)	FTDI
EZSync015	USB to RS232	RJ45	1-CTS, 2-DSR, 3-RXD, 4-GND, 5-GND, 6-TXD, 7-DTR, 8-RTS	FTDI
EZSync201	USB to RS485/422	DB9 male + terminal block(6 pin)	RS-485 signals: D+, D, GND, VCC RS-422 signals: R+, R-, T+, T-, GND, VCC	FTDI
EZSync200	USB to RS232	DB9 male (2 pcs)	TXD, RXD, RTS, CTS, DSR, DTR, DCD, RI, GND	FTDI

Copyright © 2017 PureniteteCH, LLC All rights reserved. The information in this document is subject to change without notice. Rev. 021917