

EZSync011

EZSync USB to RS232 Serial Adapter Cable with TX/RX LEDs

Features



- Unlike other cables are using PL2303 or CH431, this cable has a FTDI chip in it, most reliable, plug-and-play and no driver installation needed.
- 1.5m (60 inches) industrial grade USB to RS232 (DB9 Male) adapter cable. Integrated TXD/RXD LEDs to provide a visual indication of data traffic through the adapter.
- Shielded and transparent cable with in-line ferrite bead. Extra strength, low EMI and tangle free. RS-232 data signals: TxD, RxD, RTS, CTS, DSR, DTR, DCD, RI, GND. Standard Windows baud rates (300bps to 921.6Kbps)
- Works with USB 1.1 & 2.0 Host and Hub ports. Powered directly by USB port, no external power adapter required.
- Industry most reliable FTDI chip set & device drivers for maximum compatibility. Works with all Windows and Mac OS versions.
- strength, low EMI and tangle free

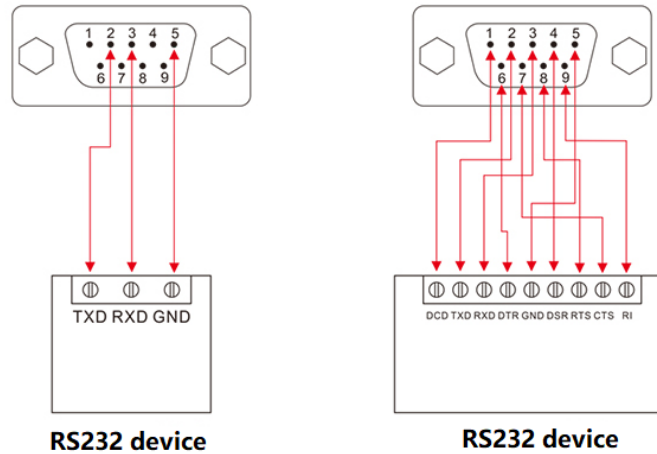
Every EZSync cable is built to last for years with high-quality industrial grade materials. EZsync011 is a USB to RS-232 interface adapter cable. No external power supply needed. Compatible with USB and RS-232 standards. EZsync011 is capable of performing the conversion from single-ended USB signal into UART signal of RS-232. DB9 male connectors are used for connection from RS-232 interface. The unique I/O circuit of the internal zero delay auto transceiver contained in the converter controls the data stream direction automatically. The converter is plug-and-play. Power indicator light and data traffic indicator light are also available with the converter for malfunction indication.

Specification

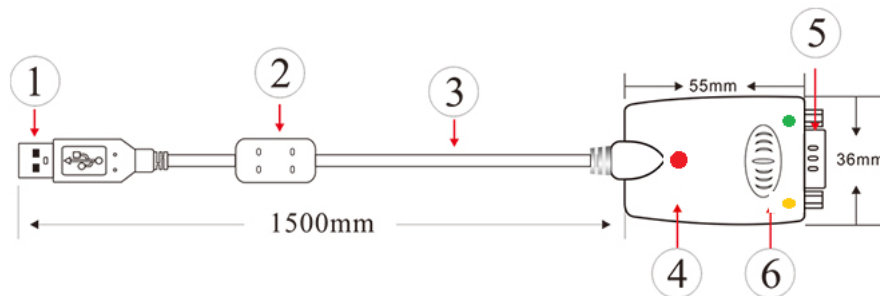
Model Number	EZSync011
Product Name	EZSync USB to RS232 Serial Adapter Cable with TX/RX LEDs
Cable Length	1.5 meter, ~5 feet
Cable structure	twisted-pair(shielded) cable with in-line ferrite bead for EMI suppression
Interface A	USB, 1.0/2.0/3.0(12 Mbps)
Interface B	EIA RS232, DB9 male with positioning nuts
Baud Rate	300bps to 921.6Kbps, auto detection
Chipset	FT232RL
Size	55mmx36mmx10mm
RS232 Signals	DCD RXD TXD DTR GND DSR RTS CTS RI
Flow control	X-On / X-Off software handshaking or hardware handshaking
Driver Support	All windows, Mac OS and Linux versions including the latest Windows10 and Mac OS X 10.12(Sierra)
Operating temperature	-40°C to +85°C
Anti-surge	±15 kV ESD protection

Wiring diagram

1. DCD, 2. RXD, 3. TXD, 4. DTR, 5. GND 6. DSR, 7. RTS, 8. CTS, 9. RI

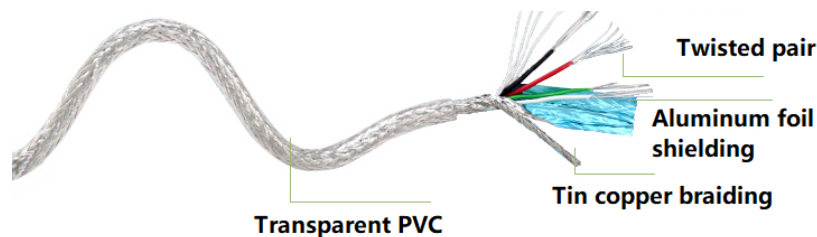


Drawing



1. USB connector
2. Ferrite bead
3. Twisted-pair(shielded) cable, 1.5m
4. LED indicator: Power(red), RXD(orange), TXD(green)
5. DB9 male with positioning nuts
6. Main circuit board(FTDI chip)

Cable feature



Applications



Models comparison table

EZSync serial data cable models comparison table

Model number	Description	End connector	Output signals	Chipset
EZSync006	USB to UART (3.3V TTL)	Wire ended(no connector)	GND(Black), CTS#(Brown), VCC(5V, RED), TXD(Orange),RXD(Yellow), RTS#(Green)	FTDI
EZSync007	USB to UART (3.3V TTL)	6 pin SIL, 0.1" pitch	GND(Black), CTS#(Brown), VCC(5V, RED), TXD(Orange),RXD(Yellow), RTS#(Green)	FTDI
EZSync008	USB to UART (5V TTL)	6 pin SIL, 0.1" pitch	GND(Black), CTS#(Brown), VCC(5V, RED), TXD(Orange),RXD(Yellow), RTS#(Green)	FTDI
EZSync009	USB to UART (5V TTL)	Wire ended (no connector)	GND(Black), CTS#(Brown), VCC(5V, RED), TXD(Orange),RXD(Yellow), RTS#(Green)	FTDI
EZSync010	USB to RS485	Wire ended (no connector)	GND(Black), Data-(Yellow), 5V Power(RED), Term1(Brown), Data+(Orange), Term2(Green)	FTDI
EZSync011	USB to RS232	DB9 Male	TXD, RXD, RTS, CTS, DSR, DTR, DCD, RI, GND	FTDI
EZSync012	USB to UART (3.3V TTL)	Wire ended (no connector)	GND(Black), TXD(Orange), RXD(Yellow)	FTDI
EZSync013B	USB to UART (5V TTL)	Wire ended (no connector)	GND(Black), CTS#(Brown), VCC(5V, RED), TXD(Orange),RXD(Yellow), RTS#(Green)	FTDI
EZSync013	USB to UART (5V TTL)	Wire ended (no connector)	GND(Black), CTS#(Brown), VCC(5V, RED), TXD(Orange),RXD(Yellow), RTS#(Green)	PL2303
EZSync014	USB to RS232	DB25 Male	TXD(Pin2), RXD(pin3) and GND(pin7)	FTDI
EZSync015	USB to RS232	RJ45	1-CTS, 2-DSR, 3-RXD, 4-GND, 5-GND, 6-TXD, 7-DTR, 8-RTS	FTDI
EZSync201	USB to RS485/422	DB9 male + terminal block(6 pin)	RS-485 signals: D+, D-, GND, VCC RS-422 signals: R+, R-, T+, T-, GND, VCC	FTDI
EZSync200	USB to RS232	DB9 male (2 pcs)	TXD, RXD, RTS, CTS, DSR, DTR, DCD, RI, GND	FTDI

Copyright © 2017 Purenitetech, LLC. All rights reserved. The information in this document is subject to change without notice. Rev. 021917