

## EZSync3102

### EZSync In-Line USB Isolator

#### Features



- Industrial-grade isolator provides a high-voltage barrier to remote USB I/O equipment connection for protection against ESD, surges, EMI/RF noise and ground loop errors.
- Idea for eliminating audio equipment ground loop noise. Insert it into USB input of any computer, audio DAC, receiver, streamer, car, or smartphone can eliminate or significantly minimizes jitter and packet errors.
- USB 2.0 compatible, 1.5Mbps low speed and 12Mbps full speed Bi-directional communication. Does NOT support 48Mbps high speed.
- Short circuit protected for x D+ and x D- lines.
- Isolated power supply in device through a DC-to-DC converter. 180mA maximum current capability.
- Class 3-A contact ESD immunity per ANSI / ESD STM5.1-2007.
- Supports all Windows/Mac OS versions, no driver installation required.

#### Introduction:

This USB isolator separates both the data lines and power supply from your computer, fully protecting your USB devices and data signals against electrical noise, high voltage spikes, surges and ground loops, which otherwise easily could damage your equipment.

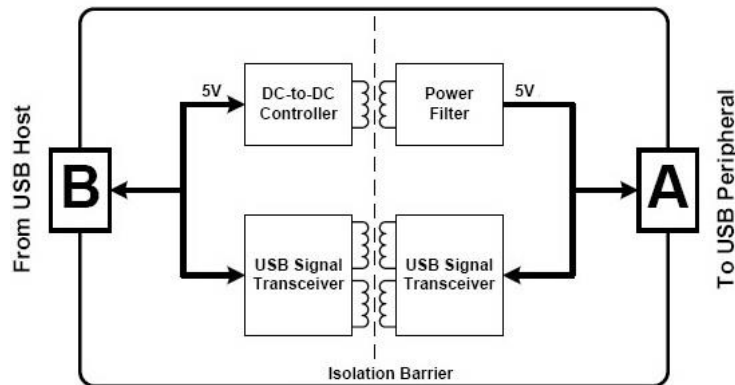
This small, industrial-grade isolator is very easy to use and provides a high-voltage barrier protection against surges, noise and ground loop errors. It is suitable for use in sensitive applications like medical devices and automotive measurements. USB isolator provides a high - voltage isolation barrier between computer and it's connected USB device. The isolation protects equipment from electrical over-voltages and transient voltage spikes, by eliminating ground loop currents flowing between the PC and USB device which can cause damage and inaccurate measurements.

Additionally, isolation minimizes conducted noise from static discharge, magnetic fields and radio frequency interference. USB isolator is USB bus powered and can provide 5V 180mA to your USB device with built-in isolated DC-DC converter.

**Specifications:**

<b>Model Number</b>		<b>EZSync3102</b>
<b>Operating system</b>		<b>No driver installation needed, OS independent</b>
<b>Isolation</b>	<b>Data: D+ and D-</b>	<b>2500 Vrms</b>
	<b>Power</b>	<b>1500 Vrms</b>
<b>Data rate</b>		<b>Low: 1.5Mbps and Full: 1.5Mbps</b>
<b>Connector</b>	<b>Host end</b>	<b>USB type A male</b>
	<b>Device end</b>	<b>USB type A female</b>
<b>Cable length</b>		<b>215mm</b>
<b>Operating temperature</b>		<b>-40°C-85°C</b>
<b>LED</b>		<b>1</b>
<b>Downstream Power</b>		<b>Up to 180mA</b>
<b>Power mode</b>		<b>Bus powered (no external power supply needed)</b>
<b>Housing</b>		<b>Clear plastic</b>
<b>Dimension(L x W x H)</b>		<b>66mm(2.6in)*22mm(in)*13mm(0.5in)</b>

**Block Diagram**



**FUNCTIONAL BLOCK DIAGRAM**

