

## EZSyn201

EZSync USB to RS-485/RS-422 Serial Converter with Terminal Connector

### Features



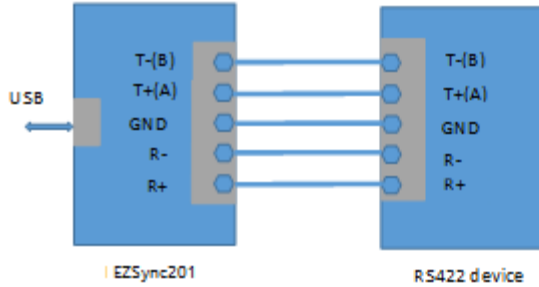
- Industrial grade high performance USB to RS485/RS422 adapter based on more reliable USB to serial technology from FTDI
- 5 feet (1.6 meter) industrial grade USB to RS485/422 (DB9 Male) adapter cable. Integrated TXD/RXD LEDs to provide a visual indication of data traffic through the adapter
- Support RS422 (T/R+, T/R-, RXD+, RXD-, GND) or RS485 (T/R+, T/R-, GND) interface. Shows up as a virtual COM port, compatible with all Windows and Mac OS versions.
- ESD Protection for RS-485 I/O's ±15kV Human Body Model (HBM) ±15kV EN61000-4-2 Air Gap Discharge ±8kV EN61000-4-2 Contact Discharge
- Shielded and transparent cable with in-line ferrite bead. Extra strength, low EMI and tangle free

Every EZSync cable is built to last for years with high-quality industrial grade materials. EZsync201 is a USB to RS-485/422 interface adapter cable. No external power supply needed. Compatible with USB 1.1/2.0 and EIA RS-485/422 standards. EZsync201 is capable of performing the conversion from single-ended USB signal into UART signal of RS-485/422. DB9 male connectors are used for connection from RS-485/422 interface. The unique I/O circuit of the internal zero delay auto transceiver contained in the converter controls the data stream direction automatically. Power indicator light and data traffic indicator light are also available with the converter for malfunction indication.

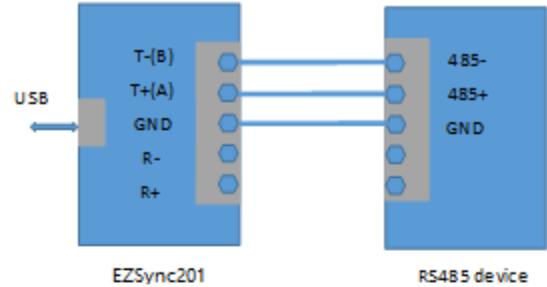
### Specification

Model Number	EZSyn201
Product Name	EZSync USB to RS-485/RS-422 Serial Converter with Terminal Connector
Cable Length	1.6 meter, ~5 feet
Interface A	USB, 1.0/2.0/3.0(12 Mbps)
Interface B	RS485/422, DB9 male or Terminal block
Baud Rate	300bps to 921.6Kbps, auto detection
Chipset	FT232RL
Isolation	NONE
RS485 Signals	RS-485 signals T/R+, T/R-, GND. RS-422 signals T/R+, T/R-, RXD+, RXD-, GND
Flow control	X-On / X-Off software handshaking
Driver Support	All windows, Mac OS and Linux versions including the latest Windows10 and Mac OS X 10.12(Sierra)
Operating temperature	-40°C to +85°C
Anti-surge	±15 kV ESD protection
Power	5V from USB port, 175mA typical

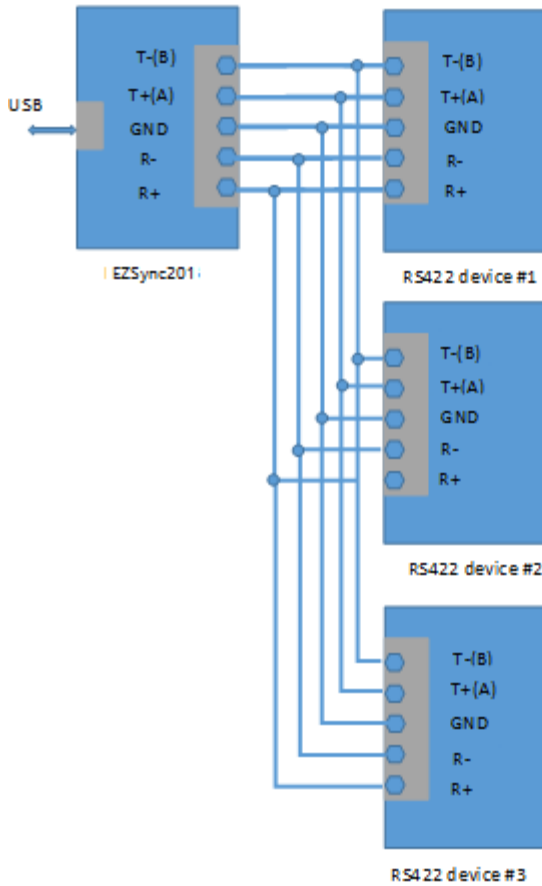
## Wiring Method: RS485 and RS422



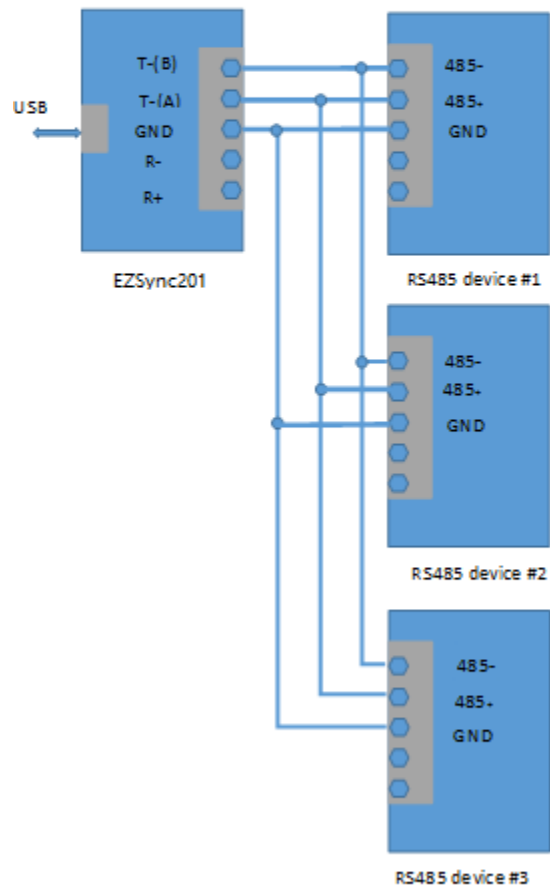
RS422 Point to point connection



RS485 Point to point



RS422 Point to multipoint connection



RS485 Point to multipoint connection



**Models comparison table**

**EZSync serial data cable models comparison table**

Model number	Description	End connector	Output signals	Chipset
EZSync006	USB to UART (3.3V TTL)	Wire ended(no connector)	GND(Black), CTS#(Brown), VCC(5V, RED), TXD(Orange),RXD(Yellow), RTS#(Green)	FTDI
EZSync007	USB to UART (3.3V TTL)	6 pin SIL, 0.1" pitch	GND(Black), CTS#(Brown), VCC(5V, RED), TXD(Orange),RXD(Yellow), RTS#(Green)	FTDI
EZSync008	USB to UART (5V TTL)	6 pin SIL, 0.1" pitch	GND(Black), CTS#(Brown), VCC(5V, RED), TXD(Orange),RXD(Yellow), RTS#(Green)	FTDI
EZSync009	USB to UART (5V TTL)	Wire ended (no connector)	GND(Black), CTS#(Brown), VCC(5V, RED), TXD(Orange),RXD(Yellow), RTS#(Green)	FTDI
EZSync010	USB to RS485	Wire ended (no connector)	GND(Black), Data-(Yellow), 5V Power(RED), Term1(Brown), Data+(Orange), Term2(Green)	FTDI
EZSync011	USB to RS232	DB9 Male	TXD, RXD, RTS, CTS, DSR, DTR, DCD, RI, GND	FTDI
EZSync012	USB to UART (3.3V TTL)	Wire ended (no connector)	GND(Black), TXD(Orange), RXD(Yellow)	FTDI
EZSync013B	USB to UART (5V TTL)	Wire ended (no connector)	GND(Black), CTS#(Brown), VCC(5V, RED), TXD(Orange),RXD(Yellow), RTS#(Green)	FTDI
EZSync013	USB to UART (5V TTL)	Wire ended (no connector)	GND(Black), CTS#(Brown), VCC(5V, RED), TXD(Orange),RXD(Yellow), RTS#(Green)	PL2303
EZSync014	USB to RS232	DB25 Male	TXD(Pin2), RXD(pin3) and GND(pin7)	FTDI
EZSync015	USB to RS232	RJ45	1-CTS, 2-DSR, 3-RXD, 4-GND, 5-GND, 6-TXD, 7-DTR, 8-RTS	FTDI
EZSync201	USB to RS485/422	DB9 male + terminal block(6 pin)	RS-485 signals: D+, D, GND, VCC RS-422 signals: R+, R-, T+, T-, GND, VCC	FTDI
EZSync200	USB to RS232	DB9 male (2 pcs)	TXD, RXD, RTS, CTS, DSR, DTR, DCD, RI, GND	FTDI

Copyright © 2017 Purenitetechnology, LLC All rights reserved. The information in this document is subject to change without notice. Rev. 021917